



# Reliability Testing Services



## Reliability Services

- Condition Monitoring Services
- Predictive Maintenance Consulting
- Reliability-Based Program Partnerships
- PdM Assessments
- Reliability Engineering Consulting Services
- Mechanical Integrity Consulting Services


### RTS Introduction

Reliability Testing Services, LLC is a leading provider of Reliability and Predictive Maintenance (PdM) Services utilizing multiple inspection technologies and maintenance strategies. Our objective is straight forward - Provide **Quality Services with Honesty and Integrity**. Our experienced, ISO certified technicians are spread throughout the country, so we are always nearby. Currently, we are monitoring plant assets at 100+ locations across the US. Our proven suite of Reliability and Predictive Maintenance services will inform you of which assets have problems, what those problems are, the severity of the problem and the rate that they are developing. With this comes recommended Maintenance actions, allowing you to prioritize your Maintenance activities and optimize the use of your limited Maintenance resources to mitigate unplanned downtime and its associated costs.

**RTSI - Reliability Testing Services, LLC**  
1049 Triad Court  
Marietta, GA 30062



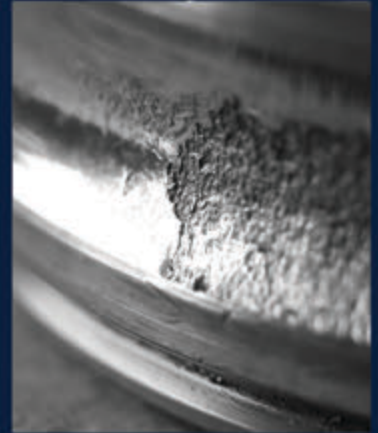
 [www.reliability-testing.com](http://www.reliability-testing.com)

 +1 832-423-2400



## Improve Plant Reliability with our Condition Monitoring Services

- Vibration Analysis
- Infrared Thermography - Electrical & Mechanical
- Motor Current Evaluations - Offline
- E-Max Motor Testing - Online
- Ultrasonics - Mechanical and Electrical
- Lubrication Oil Analysis
- Optical Gas Imaging
- Onsite Balancing & Laser Alignment
- Motion Amplification
- Operational Deflection Shape Analysis
- Modal Analysis
- PdM Program Augmentation
- PdM Assessments
- Vibration Analysis Training & Certification
- Infrared Thermography Training & Certification



## Reliability and Consulting Services

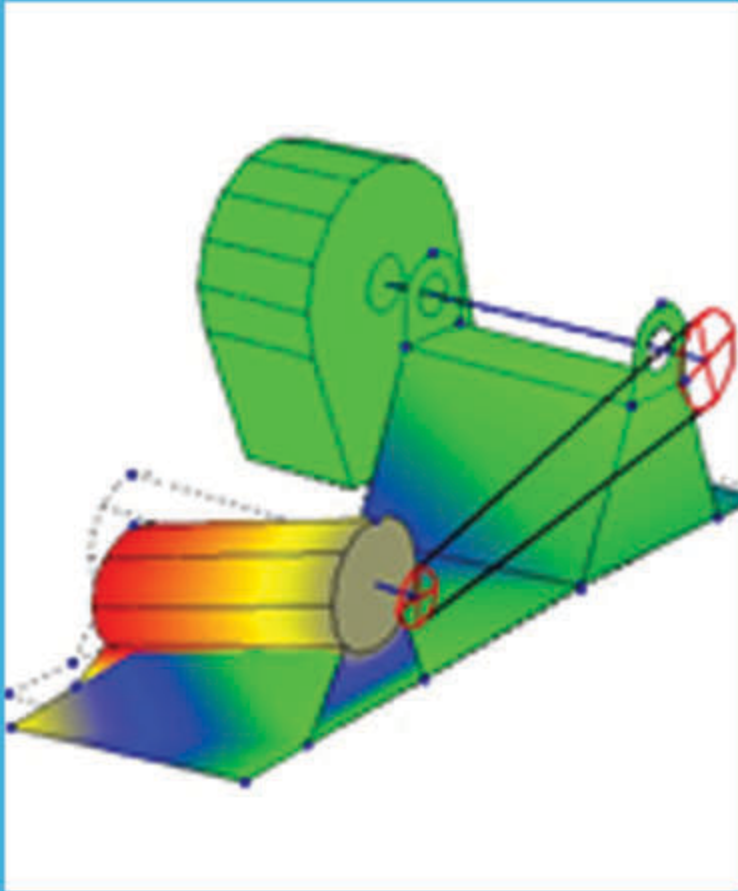
- Mechanical Integrity Consulting
- Reliability Engineering Consulting
- Root Cause Failure Analysis
- Metallurgical Failure Analysis
- Program Gap Analysis
- Design and Installation Specifications Development
- Professional Training Services
  - Practical Plant Failure Analysis
  - Condition Monitoring Techniques
  - Workforce Development
  - Failure Elimination
  - On-Site Bearing Failure Analysis
  - Precision Based Maintenance
  - Customer Specific Classes

## Stop the Unplanned Downtime

Reliability Testing Services understands your goals to prevent mechanical and electrical failures, and the costs associated with unplanned downtime. Let Reliability Testing Services, LLC predict and prevent impending failures - determining which machines have problems, what those problems are and how quickly they are developing, allowing you to prioritize your Maintenance activities.

## Reliability-Based Program Partnerships

Reliability Testing Services, LLC does more than just service our customers, we seek to partner with them. We know that with your process expertise and our Reliability & Predictive Maintenance services, that together we can develop an effective, balanced Reliability Program to create a safe production environment, minimize downtime and provide high process equipment availability.



### Reliability Engineering Consulting Services

In addition to our comprehensive Predictive Maintenance service, RTS provides Reliability Engineering Consulting services specific to your situation. Reliability of your assets is essential to remain competitive in today's economic climate. Our services will access and address your production issues with a goal of improved safety, product quality, productivity, and efficiency. Contact RTS to discuss the needs of your specific situation in more detail with one of our Reliability Engineers.

### Mechanical Integrity Consulting Services

RTS has expanded their capabilities to include Mechanical Integrity Consultation to support our customer's efforts to ensure compliance to applicable API and OSHA codes, regulations, and standards. Our trained engineers inspect and review all documentation, equipment, and operational conditions in both fixed and rotating equipment. Contact RTS to discuss the needs of your specific situation in more detail with one of our Mechanical Integrity Engineers.

### Improve Maintenance Utilization

Both shrinking head count and retiring, experienced personnel are having a negative impact on industrial Maintenance resources. Reliability Testing Services, LLC delivers actionable Maintenance information to help you make informed decisions that will allow you to operate in a planned environment with the Maintenance resources you have.

### PdM Assessments - Know Where You Are

If a PdM program is in its infancy or developing in maturity, periodic assessments of its People, Processes and Technologies is important for continued development and sustainability. We understand your goal of developing an optimal PdM program, but how do you get there if you don't know where you're starting from? Reliability Testing Services, LLC can help assess your current Predictive Maintenance program and develop a plan to address key areas that need improvement. Once we help establish where you are, we can all move forward together to achieve your goal - Optimal Plant Reliability.

### Industry Experience

- Power Generation
- Pulp & Paper
- Oil & Gas
- Chemical
- Wood Products
- Manufacturing
- Food & Beverage
- Office Buildings